



Electrolux
PROFESSIONAL

**Modular Cooking Range Line
thermaline 90 - 900 mm Open
base, 1 Side (H2) - H=550**

ITEM # _____

MODEL # _____

NAME # _____

SIS # _____

AIA # _____



589311 (MCIADA1000)

Open Base, one-side
operated - H2

Short Form Specification

Item No. _____

900 mm wide open base compartment to store pots, pans, sheet pans, etc. with hygienic design and round edges. Unit constructed according to DIN 18860_2 with 70 mm recessed plinth. Internal frame for heavy duty sturdiness in stainless steel.

Flat surface construction, easily cleanable.

IPX5 water resistant certification.

Configuration: One-side operated freestanding base, hygienic class H2.

Main Features

- Open base compartment for storage of pots, pans, sheet pans, etc.
- IPX5 water resistance certification.
- All major components may be easily accessed from the front.
- THERMODUL connection system creates a seamless work top when units are connected to each other thus avoiding soil penetrating vital components and facilitating the removal of units in case of replacement or service.
- Unit constructed according to DIN 18860_2 with 70 mm recessed plinth.

Construction

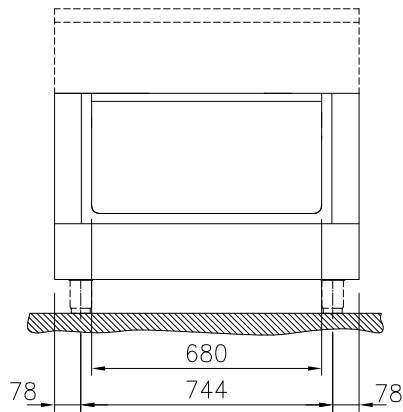
- Hygienic design of the open base compartment with large round edges.
- 2 mm top in 1.4301 (AISI 304).
- Flat surface construction with minimal hidden areas to easily clean all surfaces
- Internal frame for heavy duty sturdiness in stainless steel.

APPROVAL: _____



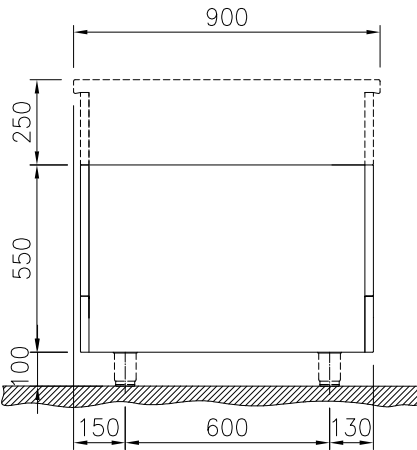
Experience the Excellence
www.electroluxprofessional.com

Front

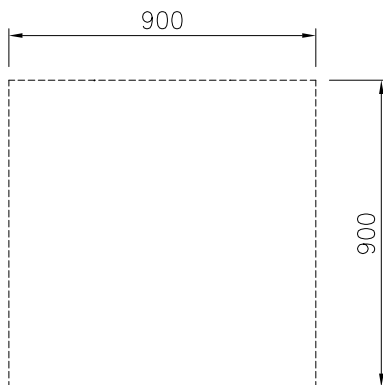

Key Information:

External dimensions, Width:	
589311 (MCIADA1000)	900 mm
External dimensions, Depth:	900 mm
External dimensions, Height:	550 mm
Cupboard Cavity Dimensions (width):	680 mm
Cupboard Cavity Dimensions (height):	330 mm
Cupboard Cavity Dimensions (depth):	740 mm
Net weight:	25 kg

Side



Top



Optional Accessories

- Stainless steel side panel, 900x800mm, freestanding PNC 912511
 - Stainless steel front kicking strip, 900mm width PNC 912599
 - Stainless steel side kicking strips left and right, freestanding, 900mm width PNC 912621
 - Stainless steel side kicking strips left and right, against the wall, 900mm width PNC 912624
 - Stainless steel side kicking strips left and right, back-to-back, 1810mm width PNC 912627
 - Stainless steel plinth, against wall, 900mm width PNC 912902
 - Stainless steel plinth, freestanding, 900mm width PNC 912921
 - Stainless steel panel, 900x800mm, against wall, left side PNC 913102
 - Stainless steel panel, 900x800mm, against wall, right side PNC 913106
 - Back panel, 900x450mm, for bases one-side operated PNC 913183
 - Stainless steel side panel, left, H=800, flush PNC 913224
 - Stainless steel side panel, left, H=800, flush PNC 913225
 - Perforated shelf for warming cabinets and cupboard bases (one-side operated TL80-85-90 and two-side operated for TL80) PNC 913235
 - Side reinforced panel only in combination with side shelf, for freestanding units PNC 913259
 - Side reinforced panel only in combination with side shelf, for against the wall installations, left PNC 913268
 - Side reinforced panel only in combination with side shelf, for against the wall installations, right PNC 913270
 - Side reinforced panel only in combination with side shelf, for back-to-back installations, left PNC 913277
 - Side reinforced panel only in combination with side shelf, for back-to-back installation, right PNC 913278
 - Shelf fixation for TL80-85-90 one-side operated, TL80 two-side operated PNC 913283
 - Stainless steel dividing panel, 900x800mm, (it should only be used between Electrolux Professional thermaline Modular 90 and thermaline C90) PNC 913673
- Stainless steel side panel, 900x800mm, flush-fitting (it should only be used against the wall, against a niche and in between Electrolux Professional thermaline and ProThermetic appliances and external appliances - provided that these have at least the same dimensions) PNC 913689